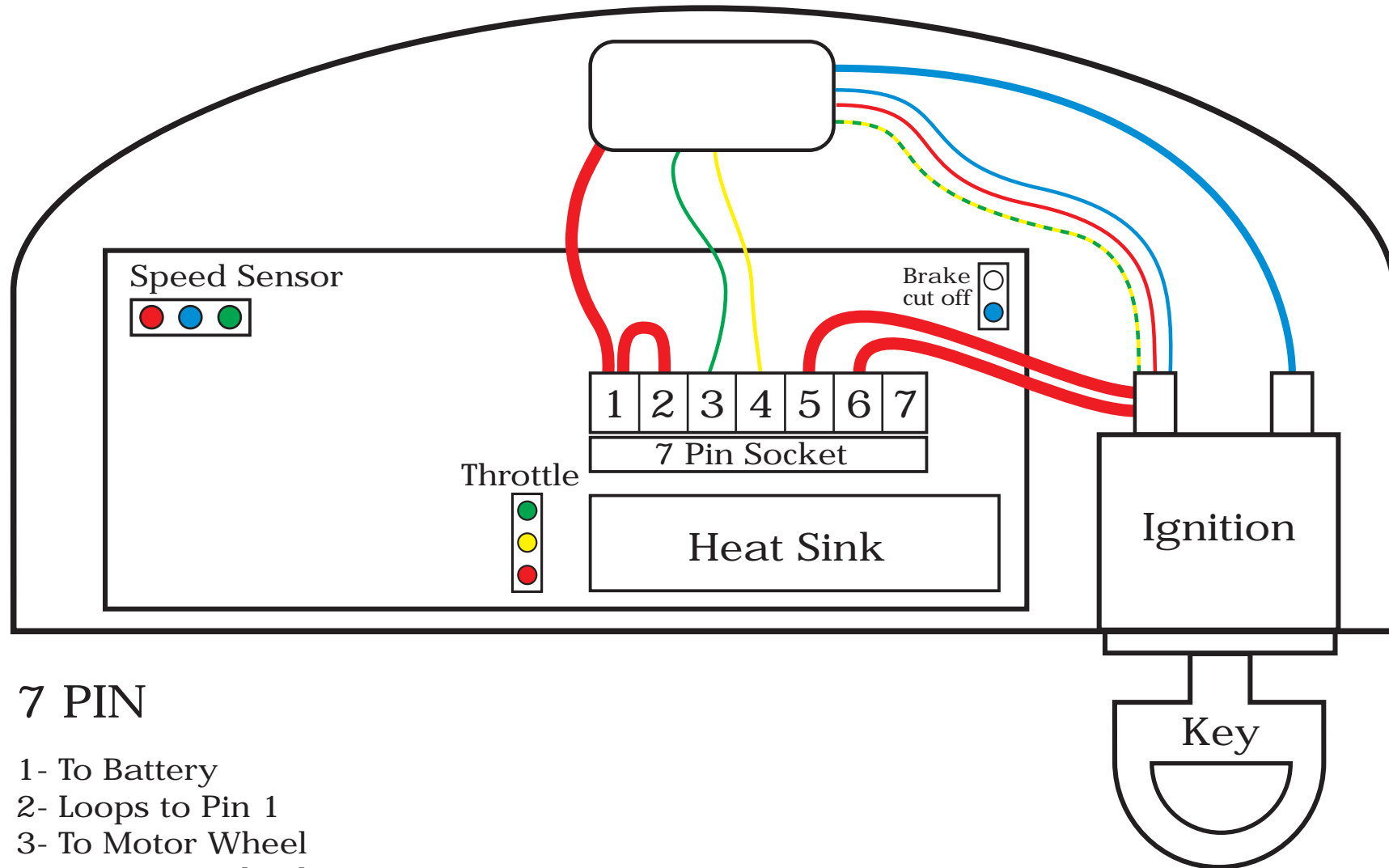




MK1 WIRE LAYOUT



7 PIN

- 1- To Battery
- 2- Loops to Pin 1
- 3- To Motor Wheel
- 4- To Motor Wheel
- 5- To Ignition Switch
- 6- To Ignition Switch
- 7- Empty